

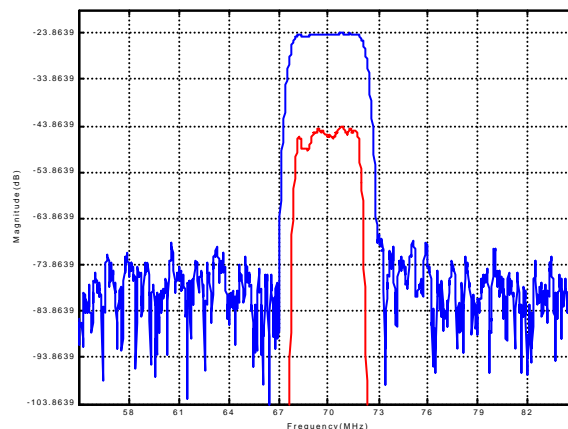


LBT07066 SAW Filter Electrical Characteristic

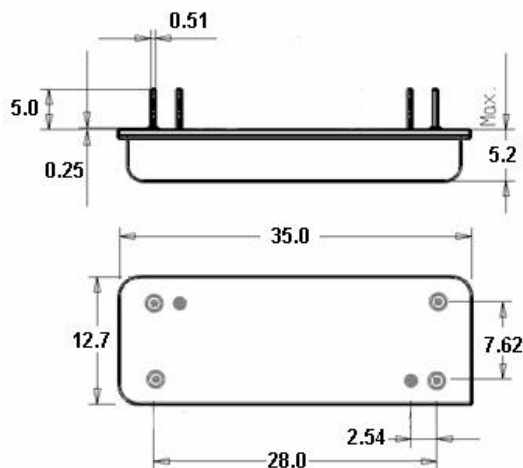
Specifications

Parameter	Unit	Minimum	Typical	Maximum
Center Frequency	MHz	69.9	70	70.1
Insertion Loss	dB		23.86	25
1 dB Bandwidth	MHz	3.84	3.96	
3 dB Bandwidth	MHz	4.1	4.36	
40 dB Bandwidth	MHz		5.78	6.1
Passband variation	dB		0.4	1.0
Absolute Delay	usec		1.54	1.9
Ultimate Rejection	dB	40	48	
Substrate Material		112 LT		
Ambient Temperature	°C	25		
Package Size	DIP3512 (35.0x12.7x5.2mm ³)			

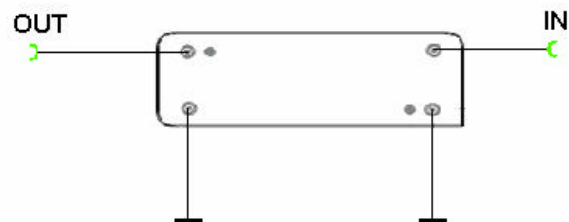
Typical Performance



Package Outline



Matching Configuration



Source/Load Impedance = 50 ohm